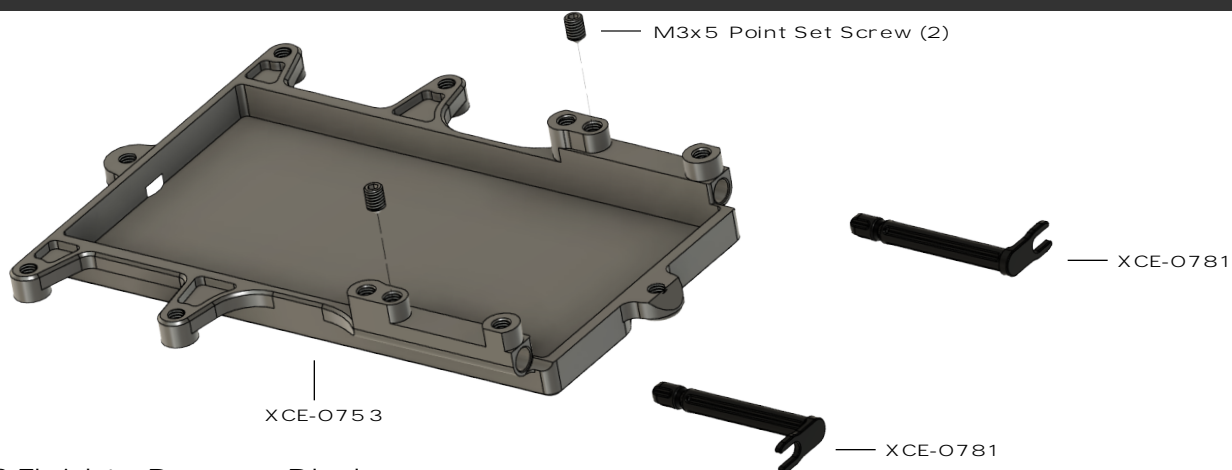
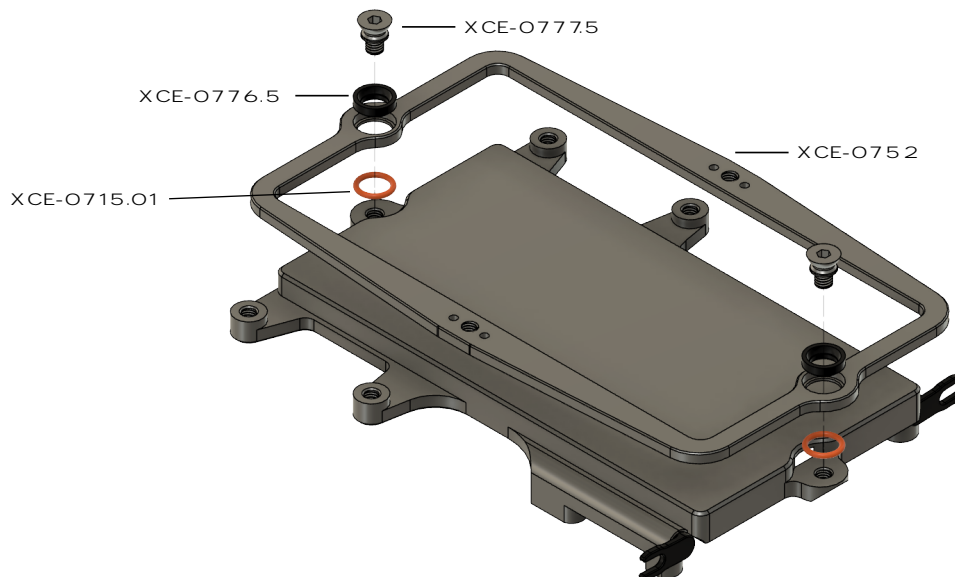


Step 1

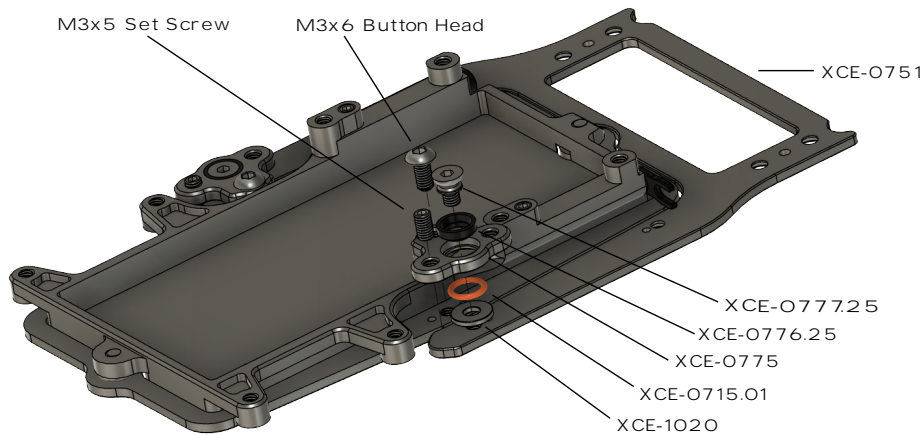


Apply 60-80k Diff Fluid to Damper Blades

Step 2

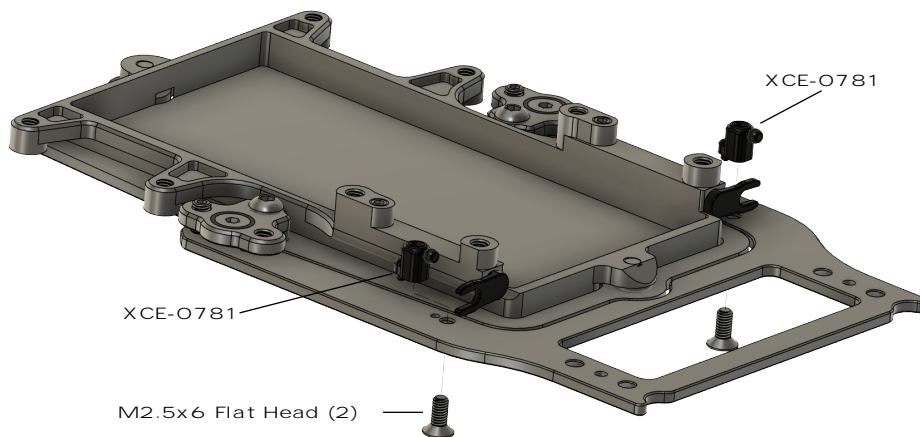


Step 3

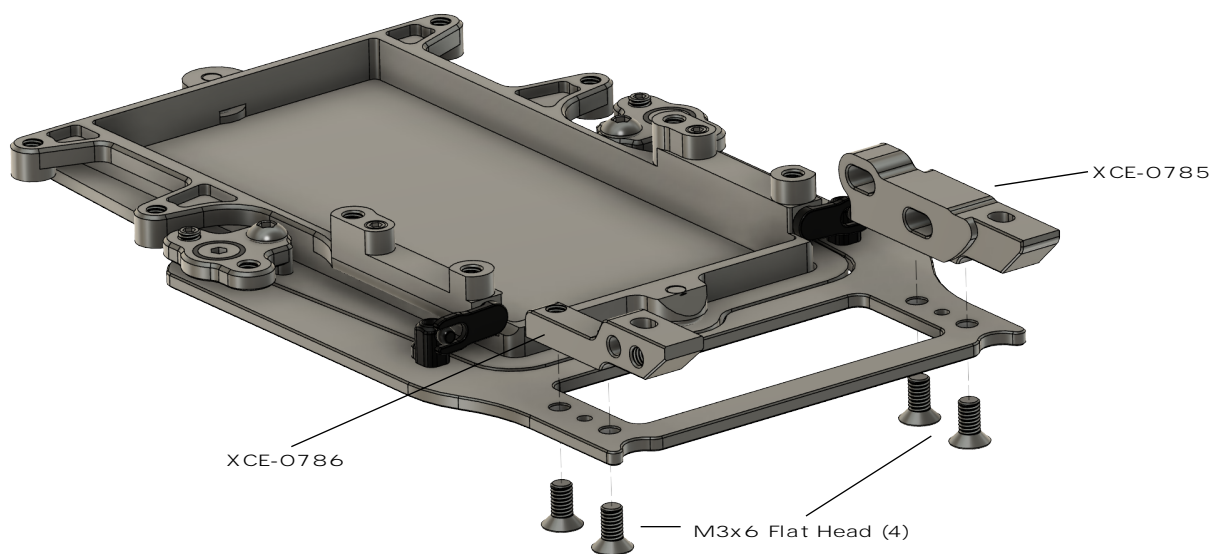


Repeat Assembly X2

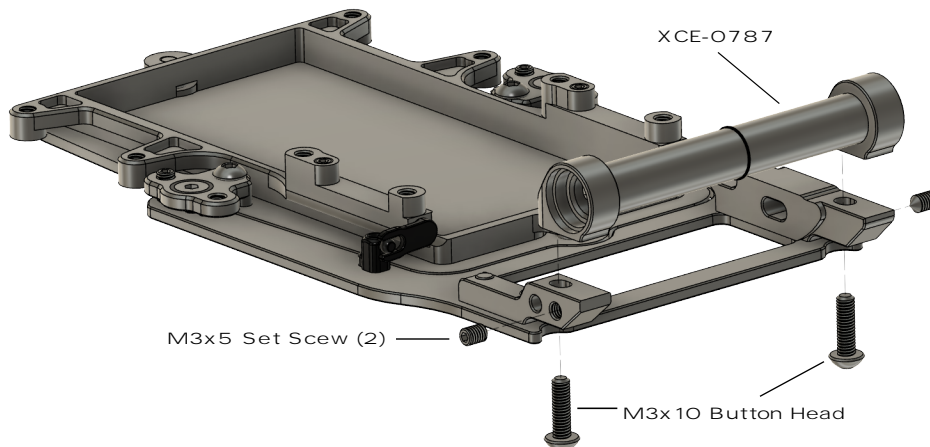
STEP 4



STEP 5



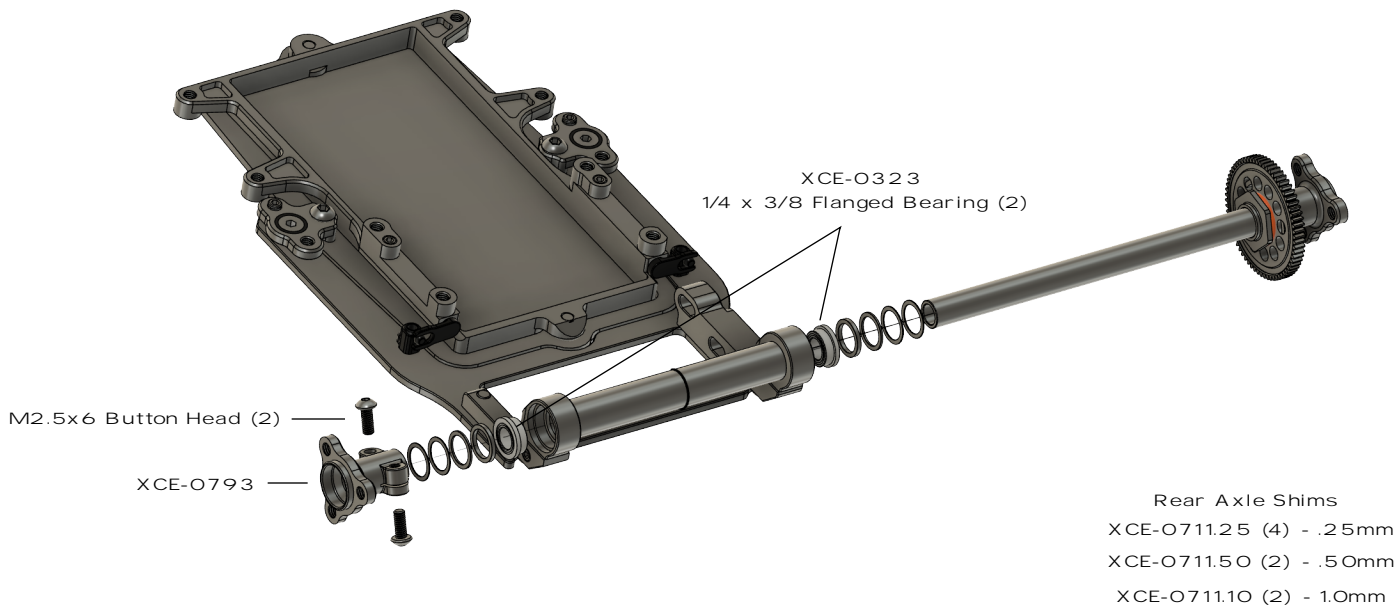
STEP 6



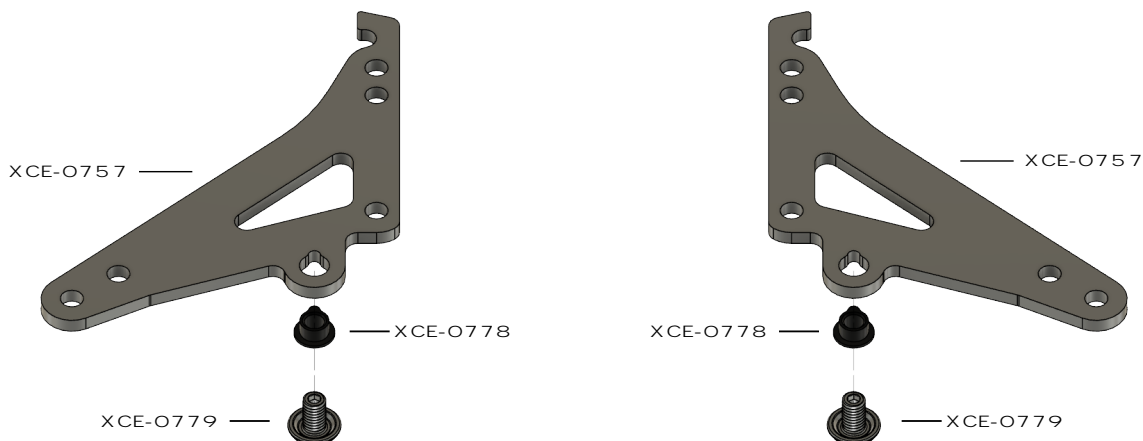
STEP 7



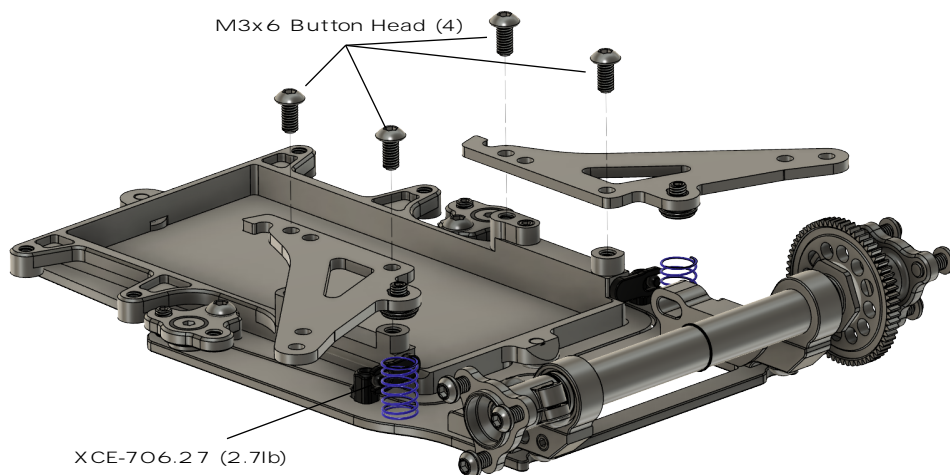
STEP 8



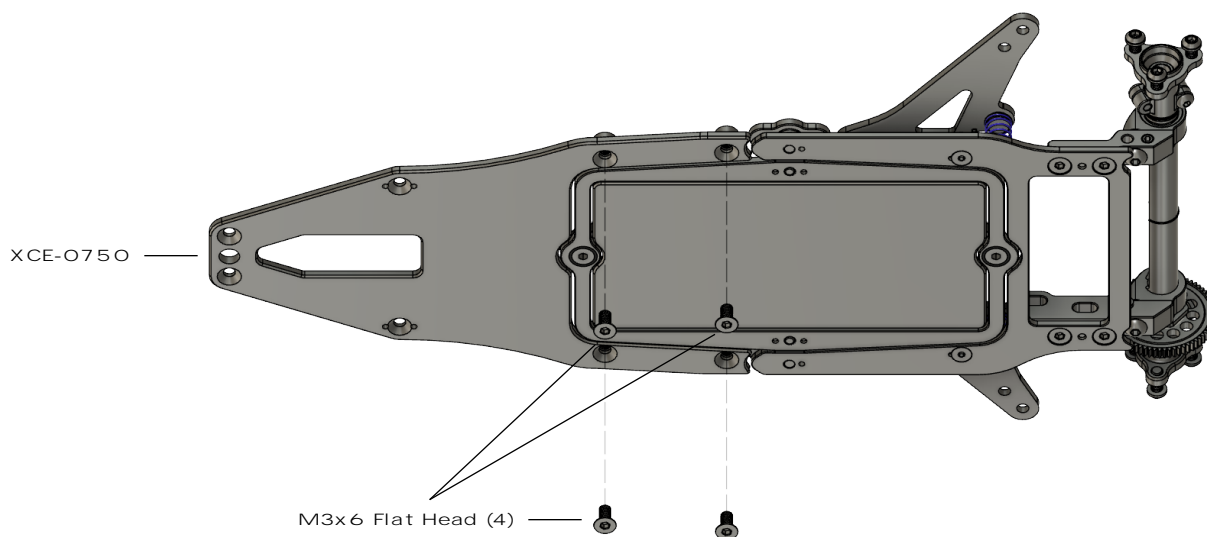
STEP 9



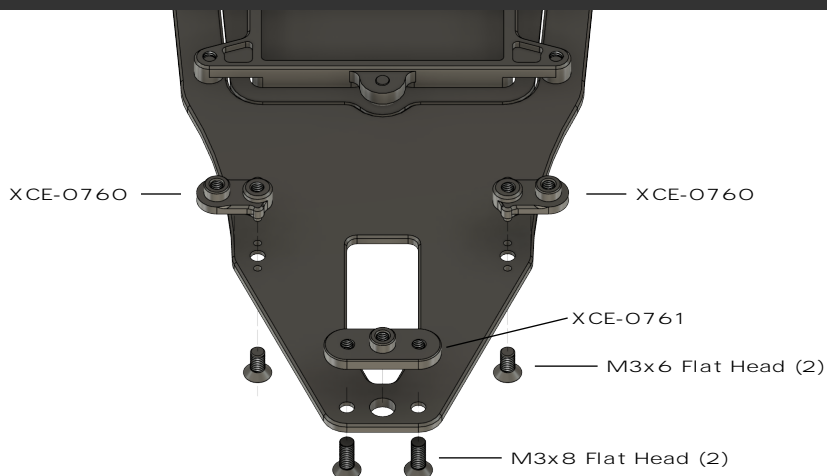
STEP 10



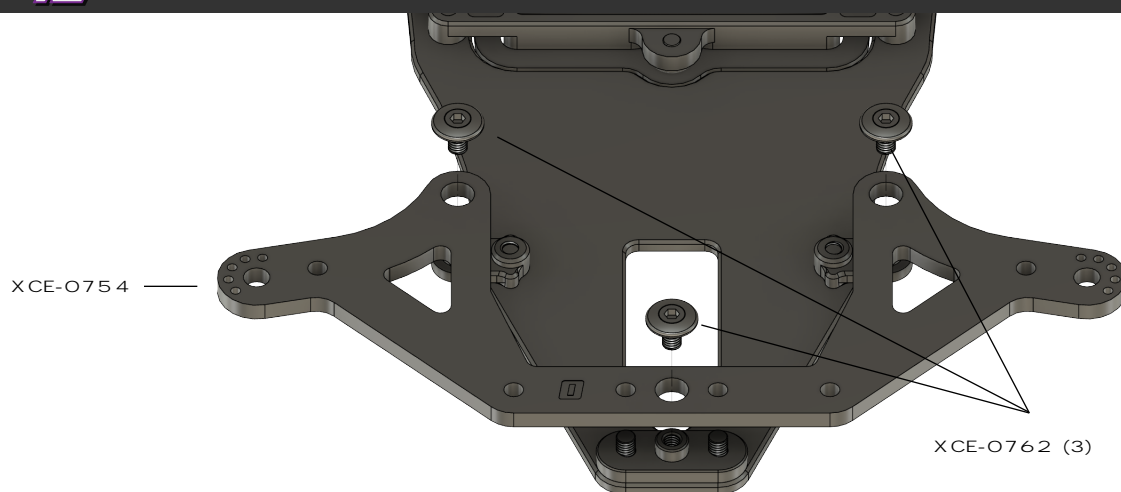
STEP 11



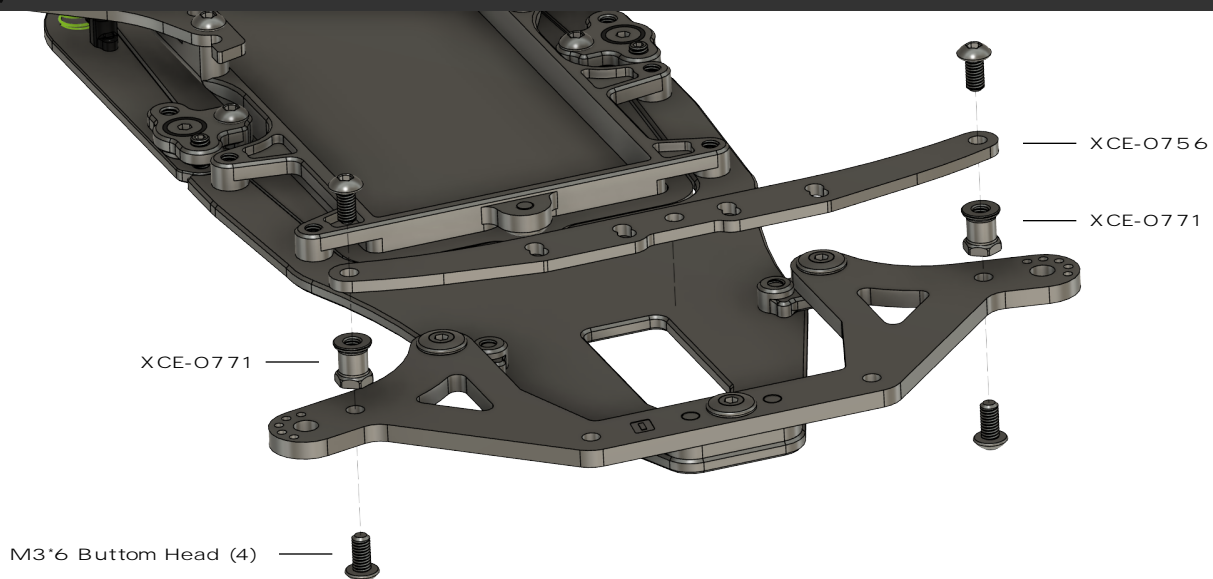
STEP 12



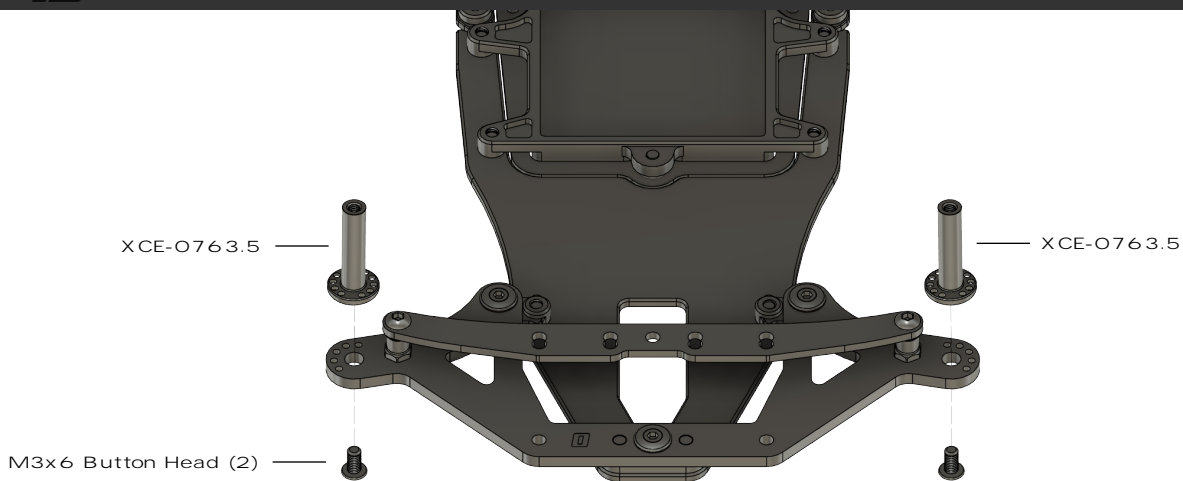
STEP 13



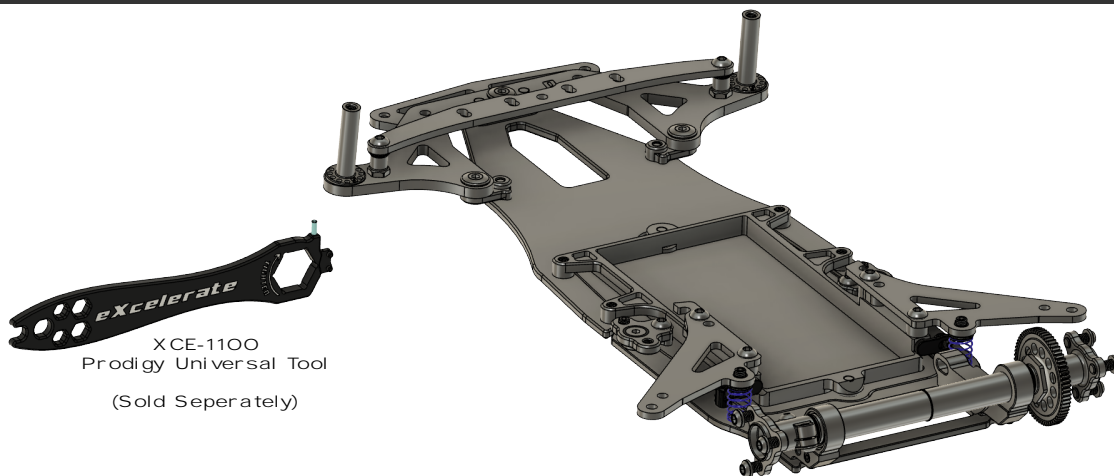
STEP 14



STEP 15

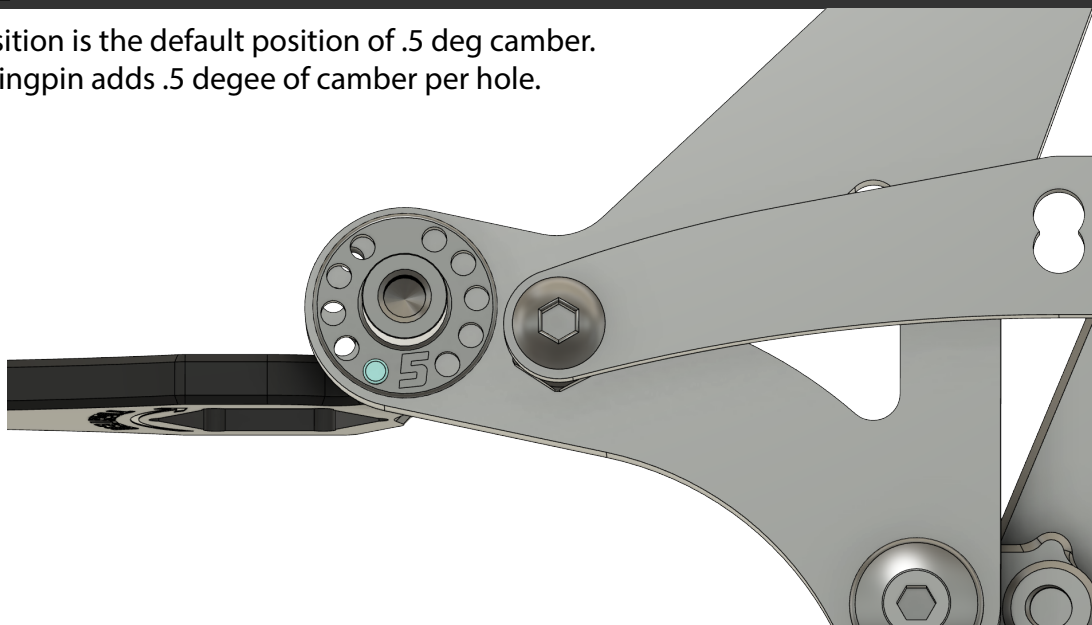


STEP 16



STEP 17

The below position is the default position of .5 deg camber.
Rotating the kingpin adds .5 degree of camber per hole.

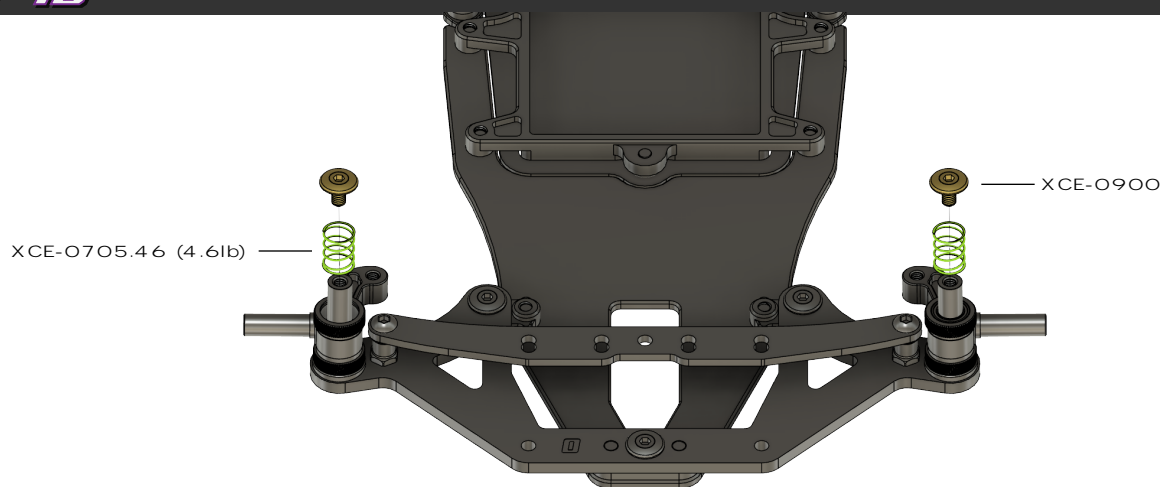


STEP 18

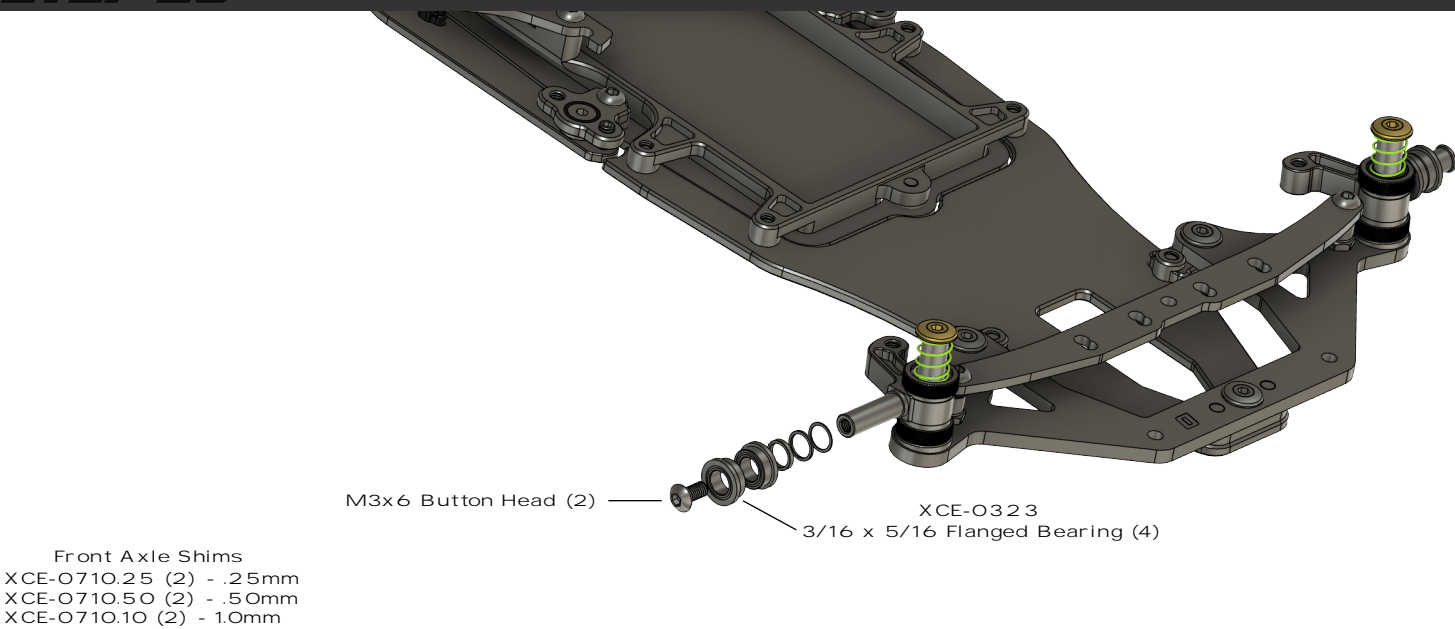


APPLY 5-15K DIFF FLUID IN BUSHINGS

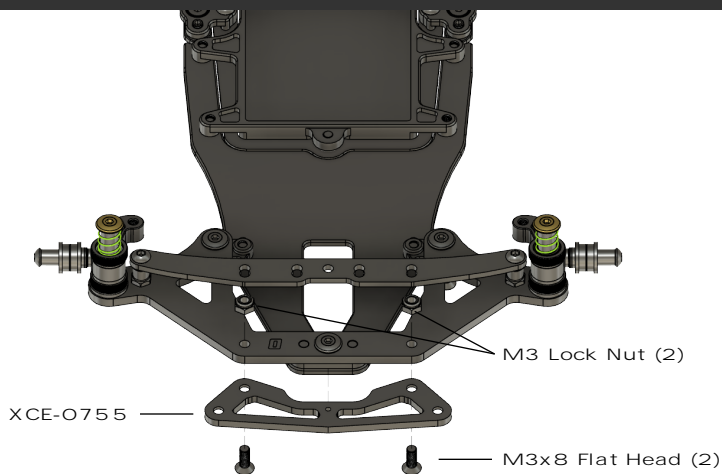
STEP 19



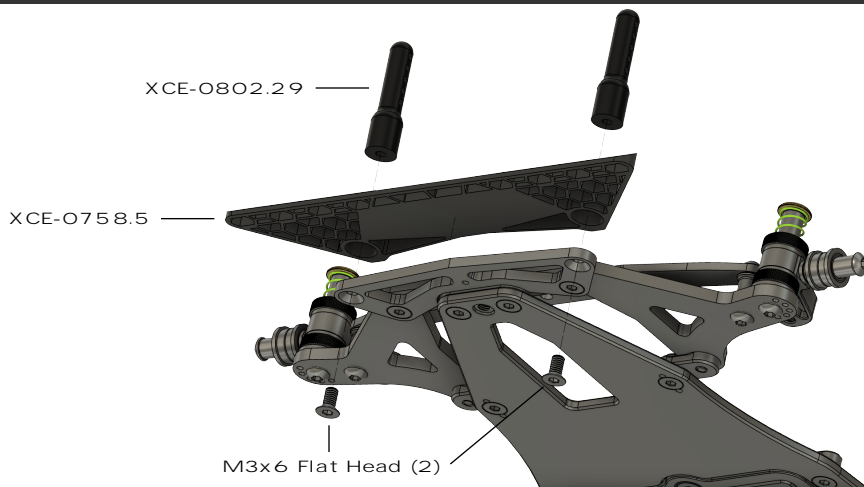
STEP 20



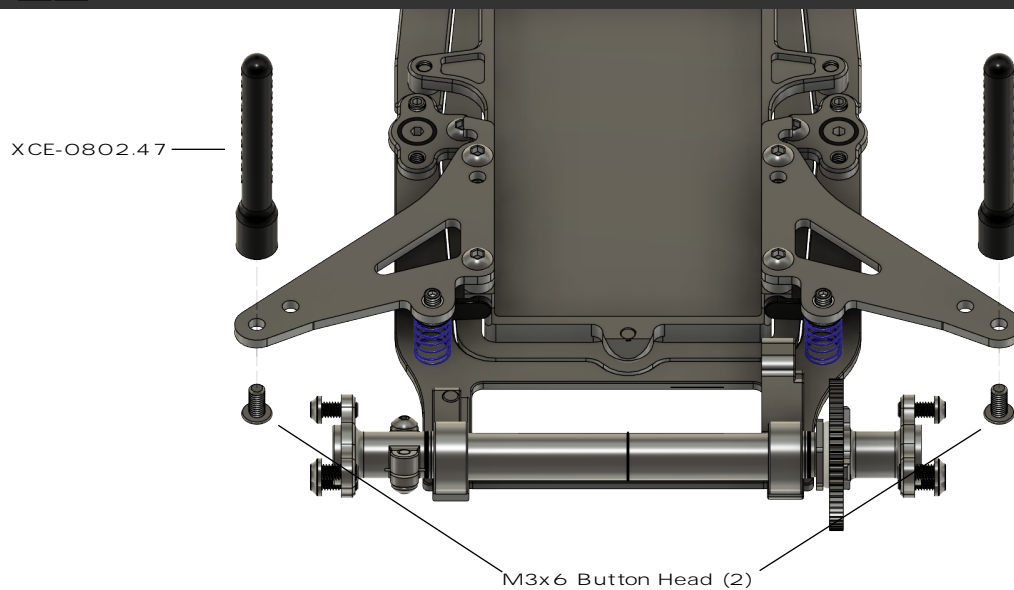
STEP 21



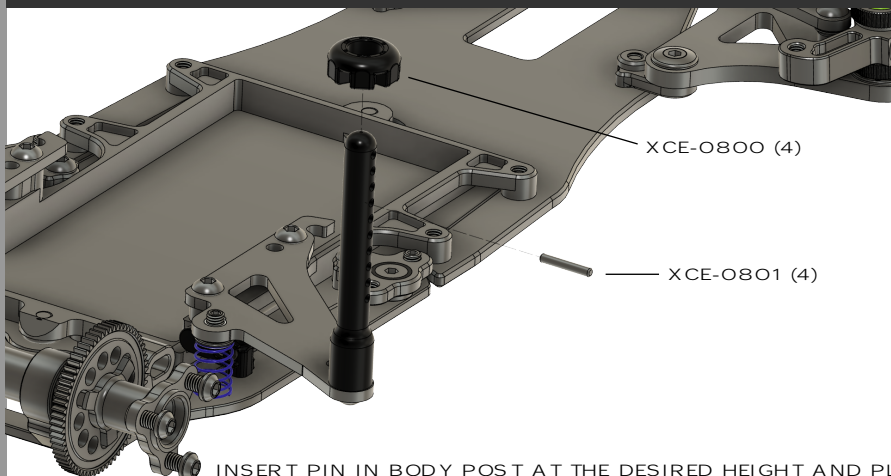
STEP 22



STEP 23



STEP 24

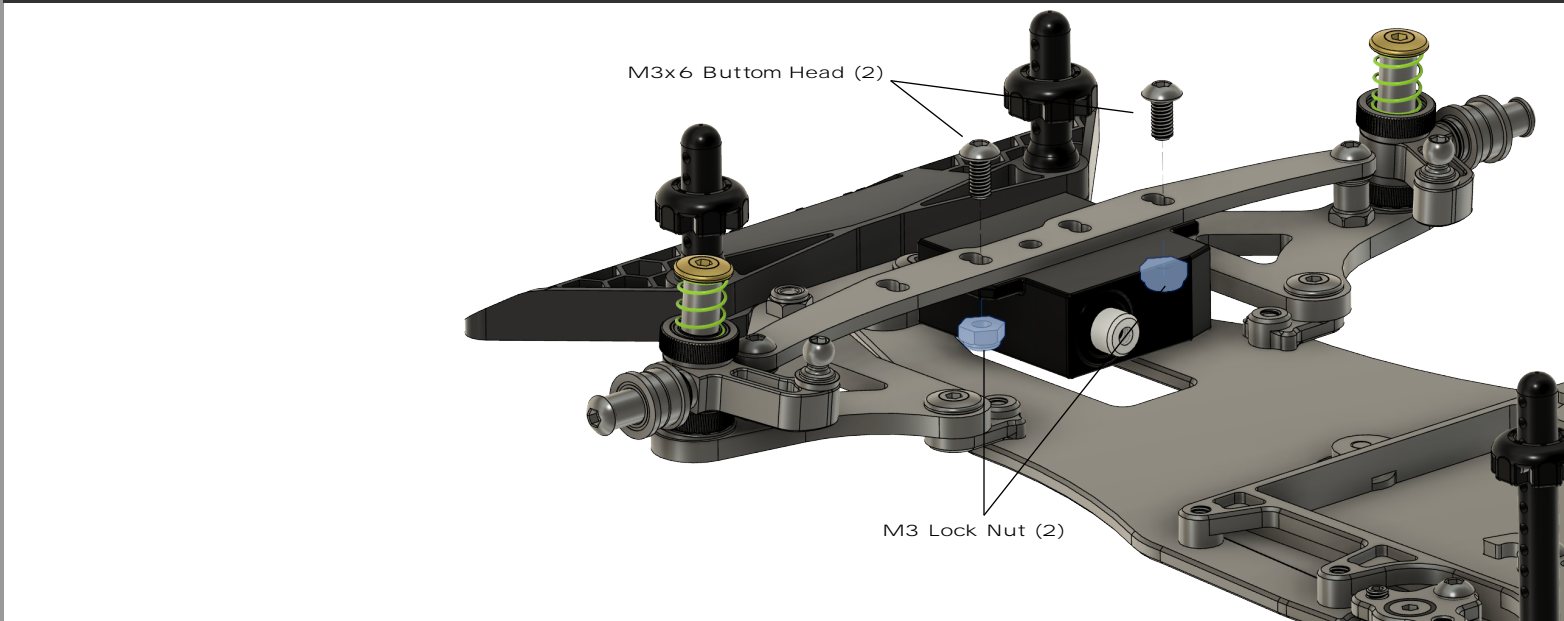


INSERT PIN IN BODY POST AT THE DESIRED HEIGHT AND PLACE ADJUSTMENT COLLAR OVER BODY POST AND PIN

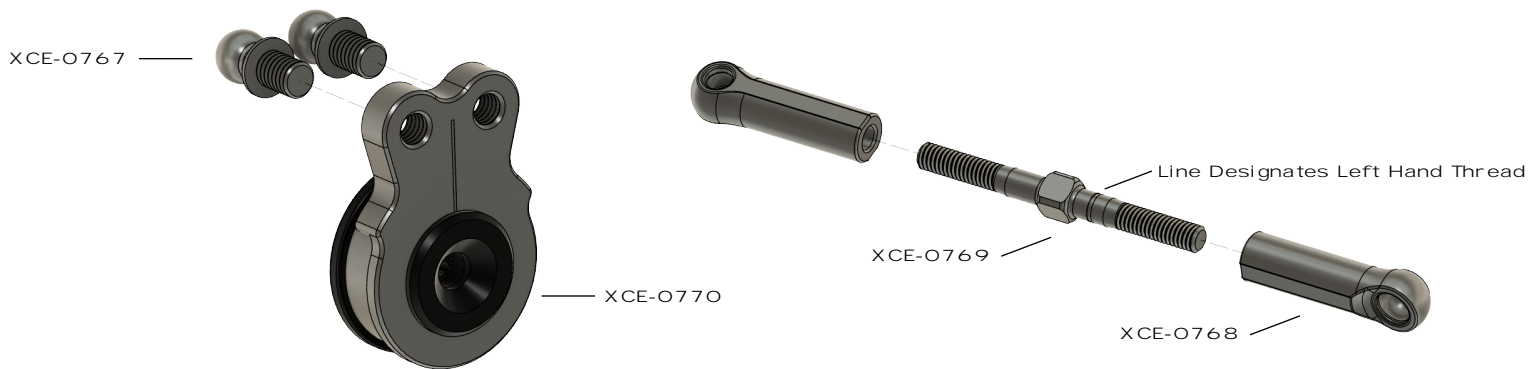
STEP 25



STEP 26

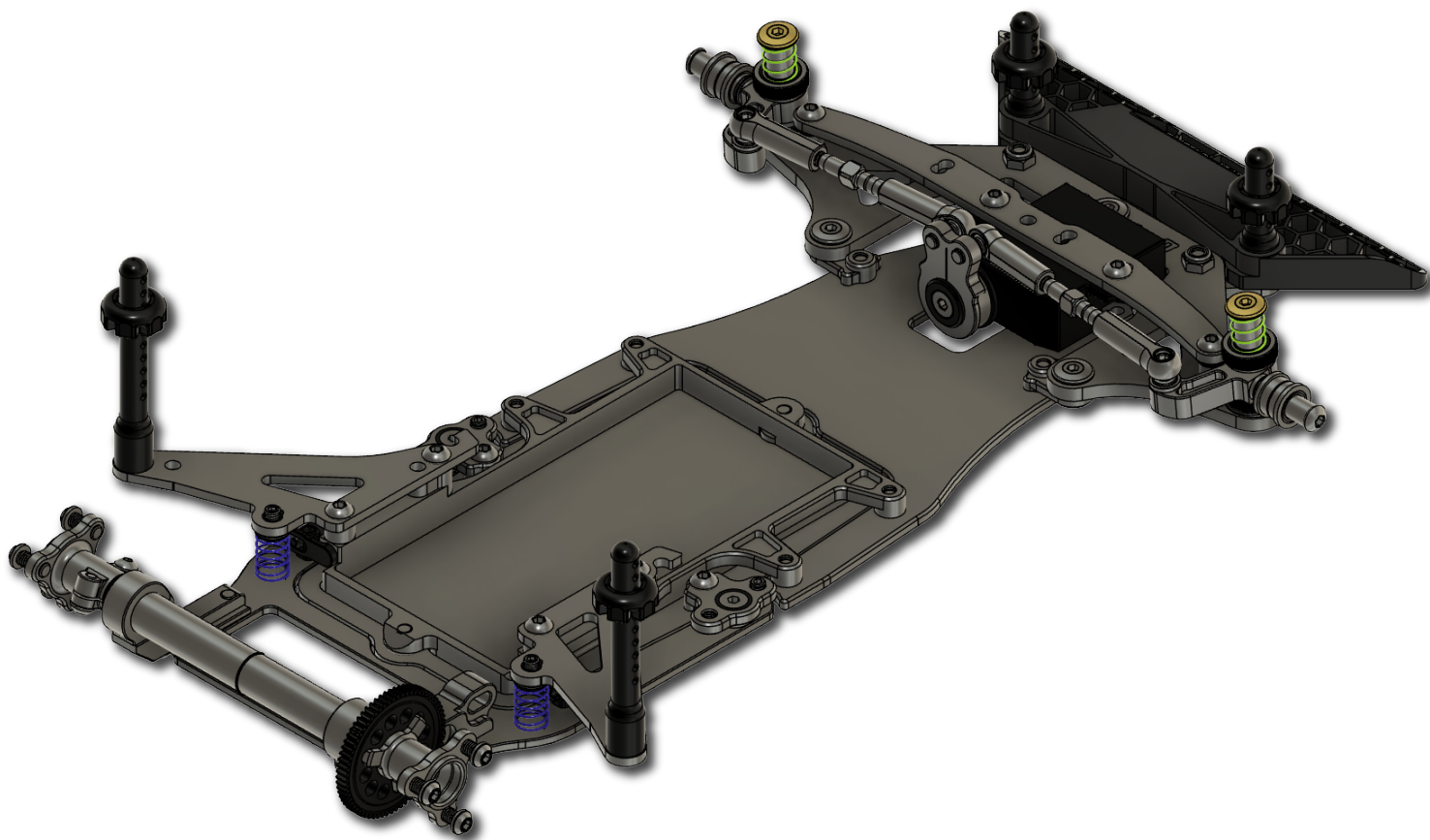


STEP 27



PRODIGY

1/12th On Road Chassis



exCelerate
www.exceleratorc.com

Kit Components

XCE-0322	3/16 x 5/16 Flanged Bearing
XCE-0323	1/4 x 3/8 Flanged Bearing
XCE-0701	Battery O-Ring
XCE-0705.46	Front Spring (4.6) Green
XCE-0706.27	Rear Spring (2.7) Blue
XCE-0710.25	3/16 Front Axle Shims .25
XCE-0710.50	3/16 Front Axle Shims .50
XCE-0710.10	3/16 Front Axle Shims .10
XCE-0711.25	1/4 Rear Axle Shim .25
XCE-0711.50	1/4 Rear Axle Shim .50
XCE-0711.10	1/4 Rear Axle Shim 1.0
XCE-0715.01	5 x 7 x 1mm O-Ring - Soft
XCE-0750	Prodigy Chassis Plate
XCE-0751	Prodigy Flex Plate
XCE-0752	Prodigy Roll Plate
XCE-0753	Prodigy Battery Tray
XCE-0754.0	Prodigy Front Plate 0
XCE-0755	Prodigy Bumper Mount
XCE-0756	Prodigy Servo Mount
XCE-0757	Prodigy Spring Plate
XCE-0758.1	Prodigy Front Bumper
XCE-0760	Prodigy Front A-Arm Mount
XCE-0761	Prodigy Front Mount
XCE-0762	Prodigy Kingpin Screw
XCE-0900	Kingpin Screw - TI
XCE-0763.5	Prodigy Kingpin 5 Deg
XCE-0764	Prodigy Steering Bushing
XCE-0765	Prodigy Steering Cap
XCE-0766.30	Prodigy Steering Block Set -3.0
XCE-0767	4.3 Ball Stud
XCE-0768	4.3 Ball Cup
XCE-0769	34mm Tie Rod
XCE-0770	Prodigy Servo Crank
XCE-0771	Prodigy Support Stand Off
XCE-0775	Prodigy Flex Pivot
XCE-0776.25	Prodigy Pivot Socket .25
XCE-0777.25	Prodigy Pivot Screw .25
XCE-0776.5	Prodigy Pivot Socket .50
XCE-0777.5	Prodigy Pivot Screw .50
XCE-0778	Prodigy Carbon Insert
XCE-0779	Prodigy Spring Retainer
XCE-0780	Prodigy Damper Pivot
XCE-0781	Prodigy Damper Blade
XCE-0785	Prodigy Motor Plate
XCE-0786	Prodigy Left Mount
XCE-0787	Prodigy Axle Tube
XCE-0788	Prodigy Rear Axle / Hub
XCE-0789	Prodigy Spur Nut
XCE-0790	Spur Nut O-Ring
XCE-0793	Prodigy Left Hub
XCE-0800	Body Post Adjustment Collar
XCE-0801	Adjustment Collar Pins
XCE-0802.29	29mm Body Post
XCE-0802.47	47mm Body Post
XCE-0803	Body Clips
XCE-0142	3mm Lock Nut
XCE-1010	3 x 6 x .5 Ball Stud Shim
XCE-1011	3 x 6 x 1 Ball Stud Shim
XCE-1020	3 x 8 x 1 Shim

Kit Hardware

2.5 x 6mm Flat Head
3 x 6mm Flat Head
3 x 8mm Flat Head
2.5 x 6mm Button Head
3 x 6mm Button Head
3 x 10mm Button Head
3 x 5mm Set Screw
3 x 5mm Point Set Screw

Option Parts

XCE-0705.50	Front Spring 5.0lbs - Orange
XCE-0705.46	Front Spring 4.6lbs - Green
XCE-0705.41	Front Spring 4.1lbs - Red
XCE-0706.3	Rear Spring 3.0lbs - Pink
XCE-0706.27	Rear Spring 2.7lbs - Blue
XCE-0706.25	Rear Spring 2.5lbs - Teal
XCE-0715.02	5x7x1mm O-Ring - Med
XCE-0715.03	5x7x1mm O-Ring - Firm
XCE-0754.15	Prodigy Front Plate -1.5
XCE-0754.45	Prodigy Front Plate -4.5
XCE-0754.60	Prodigy Front Plate -6
XCE-0763.4	Prodigy Kingpin 4 Deg
XCE-0763.6	Prodigy Kingpin 6 Deg
XCE-0766.0	Prodigy Steering Block Set 0
XCE-0766.15	Prodigy Steering Block Set -1.5
XCE-0900	Kingpin Screw - TI